



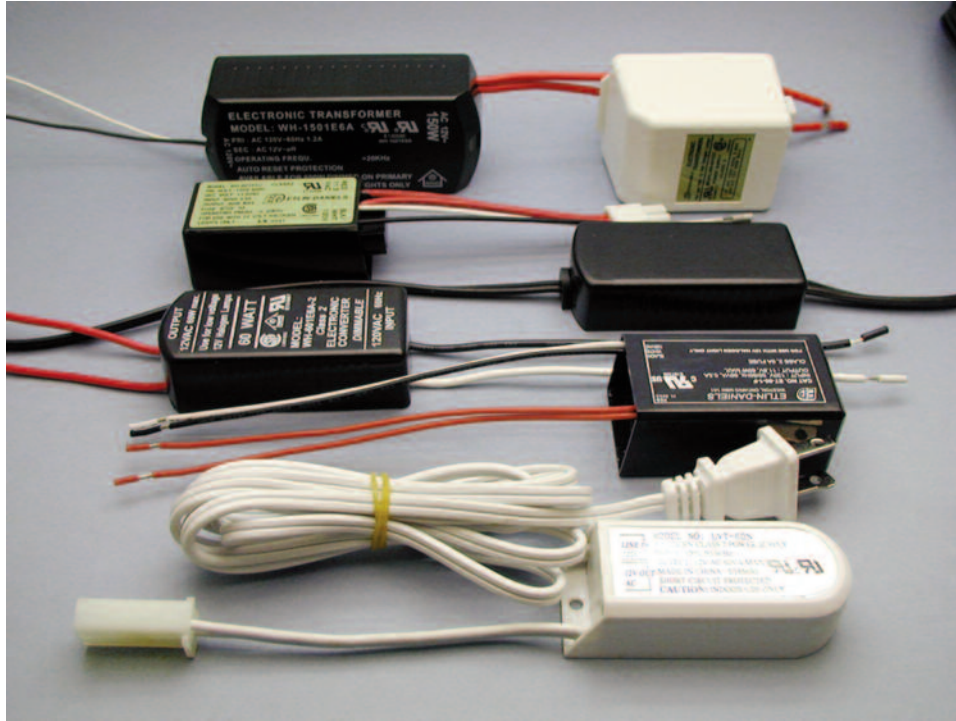
# ETLIN-DANIELS

1850 Wilson Avenue, Toronto,  
Ontario, Canada, M9M 1A1  
Ph: 416-741-7336 Fax: 416-741-9104

# SECTION G HALOGEN TRANSFORMERS

G1

HALOGEN TRANSFORMERS



### Halogen Transformers

Plug-In Transformers

Hard Wired Transformers

In-Line Transformers

G2

G3

G3

Etlin-Daniels reserves the right to discontinue, modify designs and change specifications without incurring obligation. While every effort is made to ensure that descriptions, specifications and other information in this catalogue are correct, no warranty is given in respect thereof and the company shall not be liable for any error herein. Copyright © 2011 Etlin-Daniels

# LOW VOLTAGE TRANSFORMERS FOR HALOGEN LIGHTING

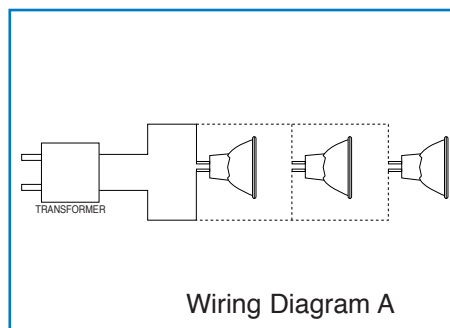
## G2 Electronic Transformers for Low Voltage Halogen Lighting

Etlin-Daniels electronic transformers offer unmatched performance and reliability for you halogen lighting requirements.

**Features:**

- Compact and light weight when compared to conventional magnetic transformers, allowing a whole new element of design flexibility
- Fully dimmable using conventional or electronic dimmers, from zero to full gradient capacity
- All units are enclosed in an epoxy sealed, fire retardant plastic case which can withstand severe environmental conditions and large temperature changes
- They can be used to power a single or multiple lamp application as long as they do not exceed the transformer's rating
- Most models offer a Class 2 safety rating
- Some models have integrated short circuit and overload protection, which will shut down the output and automatically reset when the condition is corrected
- 100% factory tested
- Easily mounted using an optional high temperature doubled sided adhesive tape to any clean surface, or by using special mounting adapter plates.
- Many models to choose from, one will be right for your application
- Models are available for North American and European applications
- What about the halogen lampholders or mini halogen fixtures to go with the transformers? See our catalogue sections for these items.

### Plug-In Low Voltage Transformers



| MODEL NO.    | INPUT VOLTS | OUTPUT VOLTS | MAXIMUM WATTAGE | WIRING DIAGRAM | OUTPUT LEAD LENGTH | DIMENSIONS    |               |               | APPROVALS | CLASS 2 | AUTO RESET | SPECIAL FEATURES   |
|--------------|-------------|--------------|-----------------|----------------|--------------------|---------------|---------------|---------------|-----------|---------|------------|--------------------|
|              |             |              |                 |                |                    | L             | W             | H             |           |         |            |                    |
| WH-501E2     | 120V        | 12V          | 50              | A              | 6.5' (2 m)         | 2.55" (65 mm) | 1.96" (50 mm) | 1.73" (44 mm) | UL, CSA   | •       | --         |                    |
| WH-601E2     | 120V        | 12V          | 60              | A              | 6.5' (2 m)         | 2.55" (65 mm) | 1.96" (50 mm) | 1.73" (44 mm) | UL, CSA   | •       | --         |                    |
| WH-601E2C    | 120V        | 12V          | 60              | A              | 6.5' (2 m)         | 2.55" (65 mm) | 1.96" (50 mm) | 1.73" (44 mm) | UL, CSA   | •       | --         | With JST Connector |
| WH-601E2CA   | 120V        | 12V          | 60              | A              | 6.5' (2 m)         | 2.55" (65 mm) | 1.96" (50 mm) | 1.73" (44 mm) | UL, CSA   | --      | •          | With JST Connector |
| WH-601E2CA-2 | 120V        | 12V          | 60              | A              | 6.5' (2 m)         | 2.55" (65 mm) | 1.96" (50 mm) | 1.73" (44 mm) | UL, CSA   | •       | •          | With JST Connector |
| WH-602E2A    | 230V        | 12V          | 60              | A              | 6.5' (2 m)         | 2.55" (65 mm) | 1.96" (50 mm) | 1.77" (45 mm) | GS        | •       | •          |                    |
| LVT-01S      | 120V        | 12V          | 60              | A              | 6.5' (2 m)         | 2.73" (69 mm) | 1.84" (74 mm) | 1.55" (39 mm) | UL, cUL   | •       | --         |                    |

- Standard case colour is Black
- White is also available, please add suffix "W" to the part number
- Power Factor >95%
- Total Harmonic Distortion <20%

# LOW VOLTAGE TRANSFORMERS FOR HALOGEN LIGHTING

## Hard Wire Low Voltage Transformers

G3



WH-601E5C



WH-1201E6A



WH-601E6A-2



WH-801E5



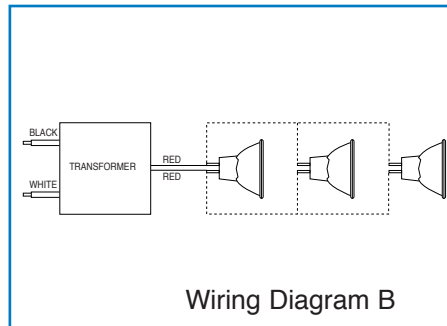
WH-602E6AF



WH-801E6A-3



WH-2301E6A



- Standard case colour is Black
- White is also available, please add suffix "W" to the part number
- WH-801E6A-3 comes with an Aluminium Casing
- Power Factor >95%
- Total Harmonic Distortion <20%

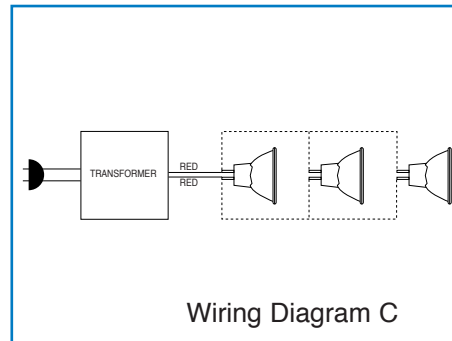
Transformers

| MODEL NO.    | INPUT VOLTS | OUTPUT VOLTS | MAXIMUM WATTAGE | WIRING DIAGRAM | OUTPUT LEAD LENGTH | DIMENSIONS    |              |              | APPROVALS    | CLASS 2 | AUTO RESET | SPECIAL FEATURES    |
|--------------|-------------|--------------|-----------------|----------------|--------------------|---------------|--------------|--------------|--------------|---------|------------|---------------------|
|              |             |              |                 |                |                    | L             | W            | H            |              |         |            |                     |
| ET60-1-F     | 120V        | 12V          | 60              | B              | 6" RED TEW         | 2.48" (63.0)  | 1.48" (38.0) | 1.06" (27.0) | UR, cUR      | •       | --         |                     |
| ET60-2-F     | 230V        | 12V          | 60              | B              | 6" RED TEW         | 2.48" (63.0)  | 1.48" (38.0) | 1.06" (27.0) | TUV, EMC, CE | •       | --         |                     |
| ET60-1-EMI   | 120V        | 12V          | 60              | B              | 6" RED TEW         | 2.48" (63.0)  | 1.48" (38.0) | 1.06" (27.0) | UR, cUR      | •       | --         | Complies with FCC   |
| WH-601E5     | 120V        | 12V          | 60              | B              | 6" RED TEW         | 2.55" (65.0)  | 1.38" (35.0) | 1.02" (26.0) | UL, CSA      | •       | --         |                     |
| WH-601E5C    | 120V        | 12V          | 60              | B              | 6" RED TEW         | 2.55" (65.0)  | 1.38" (35.0) | 1.02" (26.0) | UL, CSA      | •       | --         | With JST Connector  |
| WH-601E6A-2  | 120V        | 12V          | 60              | B              | 6" RED TEW         | 3.34" (85.0)  | 1.02" (26.0) | 0.67" (22.0) | UL, cUL      | •       | •          |                     |
| WH-601E2CA-2 | 120V        | 12V          | 60              | B              | 6" RED TEW         | 3.34" (85.0)  | 1.02" (26.0) | 0.67" (22.0) | UL, cUL      | •       | •          | With JST Connector  |
| WH-601E6A-3  | 120V        | 12V          | 60              | B              | 6" RED TEW         | 2.55" (65.0)  | 1.37" (35.0) | 0.79" (20.0) | UL, cUL      | •       | •          |                     |
| WH-602E6AF   | 230V        | 12V          | 60              | B              | --                 | 6.73" (171.0) | 1.73" (44.0) | 0.63" (16.0) | TUV, EMC, CE | --      | •          | With Terminal Block |
| LVT-75B      | 120V        | 12V          | 75              | B              | 6" RED TEW         | 3.18" (81.0)  | 1.46" (37.0) | 0.86" (22.0) | UR, cUR      | •       | •          |                     |
| ET80-1-F     | 120V        | 12V          | 80              | B              | 6" RED TEW         | 2.48" (63.0)  | 1.48" (38.0) | 1.06" (27.0) | UR, cUR      | •       | --         |                     |
| ET80-2-F     | 230V        | 12V          | 80              | B              | 6" RED TEW         | 2.48" (63.0)  | 1.48" (38.0) | 1.06" (27.0) | TUV, EMC, CE | •       | --         |                     |
| ET80-1-EMI   | 120V        | 12V          | 80              | B              | 6" RED TEW         | 2.48" (63.0)  | 1.48" (38.0) | 1.06" (27.0) | UR, cUR      | •       | --         | Complies with FCC   |
| WH-801E5     | 120V        | 12V          | 80              | B              | 6" RED TEW         | 2.55" (65.0)  | 1.38" (35.0) | 1.02" (26.0) | UL, CSA      | •       | --         |                     |
| WH-801E5C    | 120V        | 12V          | 80              | B              | 6" RED TEW         | 2.55" (65.0)  | 1.38" (35.0) | 1.02" (26.0) | UL, CSA      | •       | --         | With JST Connector  |
| WH-801E6A-3  | 120V        | 12V          | 80              | B              | 6" RED TEW         | 2.09" (53.0)  | 1.30" (33.0) | 0.79" (20.0) | UL, cUL      | •       | •          | Aluminum Casing     |
| WH-1201E6A   | 120V        | 12V          | 105             | B              | 6" RED TEW         | 4.31" (110.0) | 1.81" (46.0) | 1.25" (32.0) | UL, cUL      | •       | •          |                     |
| WH-1052E-AF  | 230V        | 12V          | 105             | B              | --                 | 6.37" (162.0) | 1.77" (45.0) | 1.18" (30.0) | TUV, EMC, CE | --      | •          | With Terminal Block |
| WH-1601E6A   | 120V        | 12V          | 150             | B              | 6" RED TEW         | 4.31" (110.0) | 1.81" (46.0) | 1.25" (32.0) | UL, cUL      | •       | •          |                     |
| WH-1502E-AF  | 230V        | 12V          | 150             | B              | --                 | 6.37" (162.0) | 1.77" (45.0) | 1.18" (30.0) | TUV, EMC, CE | --      | •          | With Terminal Block |
| WH2301E6A    | 120V        | 12V          | 230             | B              | 6" RED TEW         | 4.31" (110.0) | 1.81" (46.0) | 1.25" (32.0) | c UR us      | •       | •          |                     |
| WH2501S      | 120V        | 12V          | 250             | B              | 6" RED TEW         | 4.29" (109.0) | 3.54" (90.0) | 1.65" (42.0) | c UR us      | •       | •          |                     |

## LOW VOLTAGE TRANSFORMERS FOR HALOGEN LIGHTING

G4

### In-Line Low Voltage Transformers With Attached 1-15P Polarized Plug



| MODEL NO.      | INPUT VOLTS | OUTPUT VOLTS | MAXIMUM WATTAGE | WIRING DIAGRAM | OUTPUT LEAD LENGTH | DIMENSIONS    |               |               | APPROVALS    | CLASS 2 | AUTO RESET | SPECIAL FEATURES   |
|----------------|-------------|--------------|-----------------|----------------|--------------------|---------------|---------------|---------------|--------------|---------|------------|--------------------|
|                |             |              |                 |                |                    | L             | W             | H             |              |         |            |                    |
| ET60-1-F-WC    | 120V        | 12V          | 60              | C              | 6' IN/3' OUT       | 2.48" (63mm)  | 1.48" (38 mm) | 1.06" (27 mm) | UR, cUR      | •       | --         | With JST Connector |
| ET60-2-F-WC    | 230V        | 12V          | 60              | C              | 6' IN/3' OUT       | 2.48" (63mm)  | 1.48" (38 mm) | 1.06" (27 mm) | TUV, EMC, CE | •       | --         | With JST Connector |
| ET60-1-WC-EMI  | 120V        | 12V          | 60              | C              | 6' IN/3' OUT       | 2.48" (63mm)  | 1.48" (38 mm) | 1.06" (27 mm) | UR, cUR      | •       | --         | Complies with FCC  |
| ET60-1-WC-SPC  | 120V        | 12V          | 60              | C              | 6' IN/3' OUT       | 2.48" (63mm)  | 1.48" (38 mm) | 1.06" (27 mm) | UR, cUR      | •       | •          |                    |
| WH-601E6A-2-WC | 120V        | 12V          | 60              | C              | 6' IN/3' OUT       | 3.34" (85 mm) | 1.96" (50 mm) | 1.73" (44 mm) | UL, cUL      | •       | •          | With JST Connector |