

# H.B. ETLIN CO. LTD.

1850 Wilson Avenue, Toronto,  
 Ontario, Canada, M9M 1A1  
 Ph: 416-741-7336 Fax: 416-741-9104

## SECTION E FUSE BLOCKS AND HOLDERS

E1

FUSE BLOCKS AND HOLDERS



H.B. ETLIN CO. LTD.  
 H.B. ETLIN CO. LTD.  
 H.B. ETLIN CO. LTD.  
 H.B. ETLIN CO. LTD.  
 H.B. ETLIN CO. LTD.  
 H.B. ETLIN CO. LTD.  
 H.B. ETLIN CO. LTD.  
 H.B. ETLIN CO. LTD.  
 H.B. ETLIN CO. LTD.

### Fuse Blocks and Holders

Fuse Block Technical Data	E2-E3
<b>Fuse Blocks</b>	
250 Volt	E4
600 Volt	E5
Cartridge Fuse Pullers	E5
<b>Fuse Holders</b>	
Panel Mount	E6-E10
ATC / Mini Fuse Tabs	E10

HB Etlin Co Ltd reserves the right to discontinue, modify designs and change specifications without incurring obligation. While every effort is made to ensure that descriptions, specifications and other information in this catalogue are correct, no warranty is given in respect thereof and the company shall not be liable for any error herein.  
 Copyright © 2003 HB Etlin Co Ltd

H.B. ETLIN CO. LTD.

Fuse Blocks

TECHNICAL DATA

E2

Fuse Block Cross Reference List

ALL DIMENSIONS ARE IN INCHES

ITEM NUMBER	WIDTH	HEIGHT	LENGTH	F	M	Z	J	K	X
2V30A1	1.218	1.375	3.00	.75	--	--	.50	.218	.3125
2V30A2	2.125	1.375	3.00	--	1.25	--	CL	.218	.3125
2V30A3	3.125	1.375	3.00	--	--	2.50	CL	.218	.3125
2V60A1	1.703	2.125	4.75	.50	--	--	1.25	.218	.4062
2V60A2	3.015	2.125	4.75	--	1.83	--	1.25	.218	.4062
2V60A3	4.328	2.125	4.75	.50	--	2.625	1.25	.218	.4062
2V100A1	1.969	2.500	8.00	.625	--	--	2.375	.281	.5000
2V100A2	3.531	2.500	8.00	--	2.188	--	2.375	.281	.5000
2V100A3	5.094	2.500	8.00	.625	--	3.125	2.375	.281	.5000
2V200A1	3.000	2.182	8.00	2.00	--	--	3.00	--	--
2V400A1	4.250	3.312	11.00	3.00	--	--	10.00	--	--
6V30A1	1.953	2.125	6.75	.625	--	--	3.125	.281	.5000
6V30A2	3.531	2.125	6.75	--	2.189	--	3.125	.281	.5000
6V30A3	5.078	2.125	6.75	.625	--	3.625	3.125	.281	.5000
6V60A1	1.953	2.125	6.75	.625	--	--	3.125	.281	.5000
6V60A2	3.531	2.125	6.75	--	2.188	--	3.125	.281	.5000
6V60A3	5.078	2.125	6.75	.625	--	3.625	3.125	.281	.5000
6V100A1	3.219	2.500	10.00	.875	--	--	4.250	.281	.5000
6V100A2	4.031	2.500	10.00	--	2.812	--	4.250	.281	.5000
6V100A3	5.844	2.500	10.00	.875	--	3.625	4.250	.281	.5000
6V200A1	3.000	2.812	10.50	2.00	--	--	3.00	--	--
6V400A1	4.250	3.312	14.00	3.00	--	--	13.00	--	--

General Information

Insulators:

Fuse block insulators are molded from thermosetting phenolic material for durability and strength, and are ideally suited for industrial applications. Every block is equipped with mounting pads to compensate for surface irregularities. All blocks have at least two mounting holes to prevent the block from rotating.

**TECHNICAL DATA**

**Fuse Block Cross Reference List by Manufacturer**

**E3**

ETLIN NUMBER	GOULD NUMBER	MARATHON NUMBER
2V30A1	20311	F30A1S
2V30A2	20312	F30A2S
2V30A3	20313	F30A3S
2V60A1	20601	F60A1B
2V60A2	20602	F60A2B
2V60A3	20603	F60A2B
2V100A1	21001	F100A1B
2V100A2	21002	F100A2B
2V100A3	21003	F100A3B
2V200A1	22001	F200A1B
2V400A1	24001	F400A1B
6V30A1	60301	6F30A1B
6V30A2	60302	6F30A2B
6V30A3	60303	6F30A3B
6V60A1	60601	6F60A1B
6V60A2	60602	6F60A2B
6V60A3	60603	6F60A3B
6V100A1	61001	6F100A1B
6V100A2	61002	6F100A2B
6V100A3	61003	6F100A3B
6V200A1	62001	6F200A1B
6V400A1	64001	6F400A1B

This cross-reference has been prepared to aid in the selection of Etlin materials. Although checked for accuracy, we recommend familiarity with our product before purchase. **HB ETLIN CANNOT ASSUME RESPONSIBILITY FOR ERRORS, OMISSIONS OR CHANGES.**

Etlin Fuse Blocks have been thoroughly tested and fully CSA approved. Our Fuse Blocks are made in Canada with Canadian materials, labour and capital.

Fuse Blocks

**Wire Connectors:**

Two types of wire connectors are available. The Screw Type can be used with a spade or ring terminal. The Box Type is suitable for either solid or stranded wire. The connectors are tin-plated and CSA approved for either copper or aluminum conductors.

**Fuse Clips:**

All fuse clips are one piece high-grade phosphor bronze for excellent conductivity and cool operation.

**FPO**

**FPO**

Fuse Blocks

250, 600 VOLT FUSE BLOCKS

E4

FPO

FPO

250 Volt Fuse Blocks

ITEM NUMBER	POLES	VOLTAGE	AMPERAGE	CONNECTOR	MAXIMUM WIRE	STD PACKAGE QUANTITY
2V30A1	1	250V	30A	SCREW	10 AWG	90
2V30A2	2	250V	30A	SCREW	10 AWG	54
2V30A3	3	250V	30A	SCREW	10 AWG	36
2V60A1	1	250V	60A	BOX FT70T	4 AWG	60
2V60A2	2	250V	60A	BOX FT70T	4 AWG	36
2V60A3	3	250V	60A	BOX FT70T	4 AWG	24
2V100A1	1	250V	100A	BOX FT125T	1/0 AWG	28
2V100A2	2	250V	100A	BOX FT125T	1/0 AWG	16
2V100A3	3	250V	100A	BOX FT125T	1/0 AWG	12
2V200A1	1	250V	200A	BOX EO6PT	4/0 AWG	12
2V400A1	1	250V	400A	BOX EO7PT	500 MCM	5

For dimensions and other specifications, see Technical Data pages preceding.

Fuse Blocks

**600 VOLT FUSE BLOCKS,  
FUSE PULLERS**

E5

FPO

FPO

**600 Volt Fuse Blocks**

ITEM NUMBER	POLES	VOLTAGE	AMPERAGE	CONNECTOR	MAXIMUM WIRE	STD PACKAGE QUANTITY
6V30A1	1	600V	30A	BOX FT70T	4 AWG	36
6V30A2	2	600V	30A	BOX FT70T	4 AWG	20
6V30A3	3	600V	30A	BOX FT70T	4 AWG	12
6V60A1	1	600V	60A	BOX FT70T	4 AWG	36
6V60A2	2	600V	60A	BOX FT70T	4 AWG	20
6V60A3	3	600V	60A	BOX FT70T	4 AWG	12
6V100A1	1	600V	100A	BOX FT125T	1/0 AWG	36
6V100A2	2	600V	100A	BOX FT125T	1/0 AWG	20
6V100A3	3	600V	100A	BOX FT125T	1/0 AWG	12
6V200A1	1	600V	200A	BOX EO6PT	4/0 AWG	5
6V400A1	1	600V	400A	BOX EO7PT	500 MCM	2

Fuse Blocks

FPO

FPO

**Cartridge Fuse Pullers**

ITEM NUMBER	FOR FUSE DIAMETER	LENGTH
56	1/4" TO 1/2"	5"
57	13/32" TO 13/16"	7-1/2"
59	1" TO 2-1/2"	12"

**Cartridge Fuse Pullers**

Safe – Handy – Easy to Use




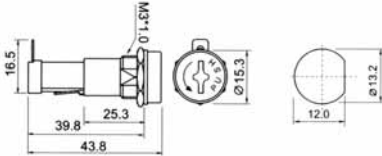
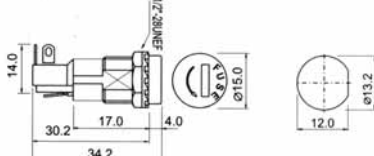
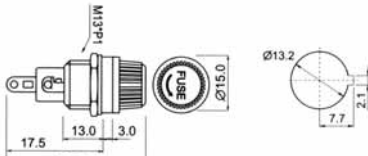



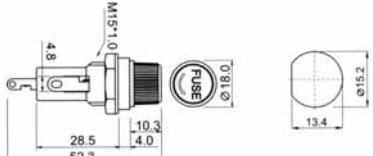
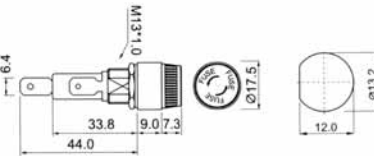
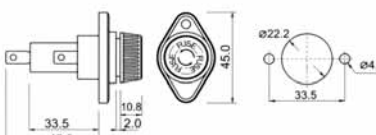
Made from insulated laminators of black vulcanized heavy fibre for strength and durability. Makes it easy and safe to remove fuses in even hard to get at fuse blocks. Has a special clamp feature to adjust fuse clips.

Fuse Blocks

PANEL MOUNT FUSEHOLDERS

E6 Panel Mount Fuseholders

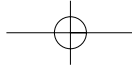
Fuse Blocks

		
<p><b>R3-9A - Bayonet Type</b> <b>R3-9C - Screw Type</b></p>	<p><b>R3-11 - Bayonet Type</b> <b>R3-11B - Screw Type</b></p>	<p><b>R3-12 - Solder Lugs</b></p>
		
<p>Rating: 15A 250V AC Fit: Ø 6.35 x 31.8 ± 0.8 mm; Ø 6.4 x 30 ± 1 mm</p>	<p>Rating: 10A 250V AC Fit: Ø 5.2 x 20 ± 0.5 mm</p>	<p>Rating: 10A 250V AC Fit: Ø 5.2 x 20 ± 0.5 mm</p>
		
<p><b>R3-13 - Solder Lugs</b></p>	<p><b>R3-14C - Quick Connect Terminal</b></p>	<p><b>R3-18 - Quick Connect Terminal</b></p>
		
<p>Rating: 10A 250V AC Fit: Ø 6.35 x 31.8 ± 0.8 mm; Ø 6.4 x 30 ± 1 mm</p>	<p>Rating: 10A 250V AC Fit: Ø 6.4 x 30 ± 1 mm</p>	<p>Rating: 30A 600V AC Fit: Ø 10.31 x 38.1 ± 0.8 mm</p>

Compact through the panel fuseholders are designed to fit a 1/2" hole and be serviceable from the front. Shocksafe and Touchproof.

Available in two styles: low profile where there is more space behind the panel; high profile where there is little space behind the panel.

They are available in bayonet or screw type knobs with either screwdriver slot head or finger grip knob. Connections are either solder or with quick connect terminals for fast assembly.



Fuse Holders

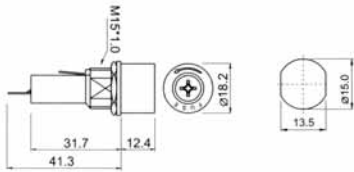
PANEL MOUNT FUSEHOLDERS

Panel Mount Fuseholders (cont'd)

E7



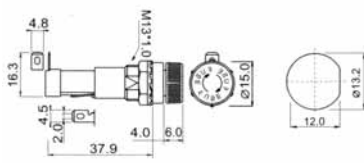
R3-22A - Solder Lugs



Rating: 10A 250V AC  
Fit: Ø 6.4 x 30 ± 1 mm



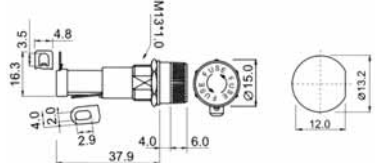
R3-28A - Bayonet Type, Quick Connect Tabs



Rating: 10A 250V AC  
Fit: Ø 6.35 x 31.8 ± 0.8 mm; Ø 6.4 x 30 ± 1 mm



R3-28C - Screw Cap, Quick Connect Tabs



Rating: 10A 250V AC  
Fit:

Fuse Blocks



R3-38 -

Rating:  
Fit:



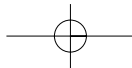
R3-41

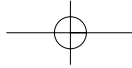
Rating:  
Fit:



R3-44

Rating:  
Fit:








Fuse Holders



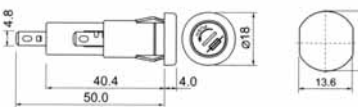
PANEL MOUNT FUSEHOLDERS

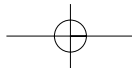
E8

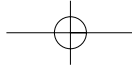
Panel Mount Fuseholders (cont'd)

		
<p>R3-45A</p>	<p>R3-45B</p>	<p>R3-46</p>
<p>Rating: Fit:</p>	<p>Rating: Fit:</p>	<p>Rating: Fit:</p>

Fuse Blocks

		
<p>R3-48 -</p>	<p>R3-49A - Snap-In Slot Bayonet, Quick Connect Tabs</p>	<p>R3-49C - Snap-In Slot Screw Cap, Quick Connect Tabs</p>
		
<p>Rating: Fit:</p>	<p>Rating: 10A 250V AC Fit:</p>	<p>Rating: 10A 250V AC Fit:</p>



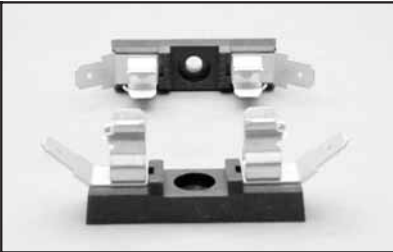
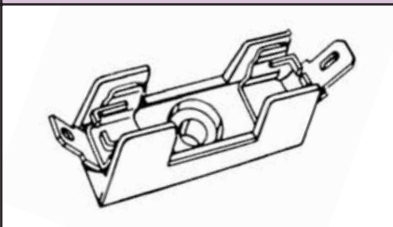


Fuse Holders

PANEL MOUNT FUSEHOLDERS

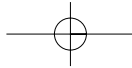
Panel Mount Fuseholders (cont'd)

E9

		
<b>HP-F2D03 - Quick Connect Tabs</b>	<b>S8201-01 - Quick Connect Tabs</b>	<b>S8201-10 - Quick Connect Tabs</b>
		
Rating: 30A 250V AC Fit: Ø ¼" x 1-¼"; Available in 1 – 10 poles	Rating: 10A 300V AC Fit: Ø ¼" x 1-¼"	Rating: 10A 300V AC Fit: Ø ¼" x 1-¼"; 10 pole breakaway

Fuse Blocks

<b>VF20 - In Line Fuseholder</b>	<b>101-R9</b>	<b>101 - RR</b>
Rating: Fit:	Rating: Fit:	Rating: Fit:



Fuse Blocks

PANEL MOUNT FUSEHOLDERS

E10

Panel Mount Fuseholders (cont'd)

<b>108-7R-403R</b> 7 Hole Multi Fuseholder	<b>108-8R-R</b> 8 Hole Multi Fuseholder	
Rating: Fit:	Rating: Fit:	Rating: Fit:

Fuse Blocks

FPO

FPO

ATC Fuse Tabs & Mini Fuse Tabs

ITEM NUMBER	DIMENSIONS				NEMA TAB		DESCRIPTION
	TONGUE WIDTH (W)		LENGTH (L)		in	mm	
	in	mm	in	mm			
FT-ATC-250	0.25	6.35	1.198	29.5	0.25	6.35	ATC FUSE TABS
FT-ATC-250-1	0.25	6.35	0.909	23.1	0.25	6.35	ATC FUSE TABS
FTH-ATC-250	0.299	7.6	0.787	20.0	0.25	6.35	ATC FUSE HOLDER
FT-LEM-250	0.189	4.8	1.004	25.5	0.25	6.35	LEM FUSE TABS
FT-AGC-250	0.25	6.35	0.724	18.4	0.25	6.35	AGC FUSE TABS
2DM-1DF	0.575	14.6	0.787	20.0	0.25	6.35	DOUBLE MALE TAB, SINGLE FEMALE SLIP-IN
FT-250-SCT	0.311	7.9	0.417	10.6	0.25	6.35	MALE TAB TO SCREW TERMINAL

Standard Dimensions

A = 0.394  
B = 0.158  
C = 0.091